



SALE NEW

yamaha F5 amhs/l

1 350 € All Tax Included

## Specifications

---

LENGTH

0.00

---

WIDTH

0.00

---

ENGINE MANUFACTURER

Yamaha

---

HORSE POWER

1 X 5hp CV

## General

---

BRAND	MODEL
yamaha	F5 amhs/l

## Engine room

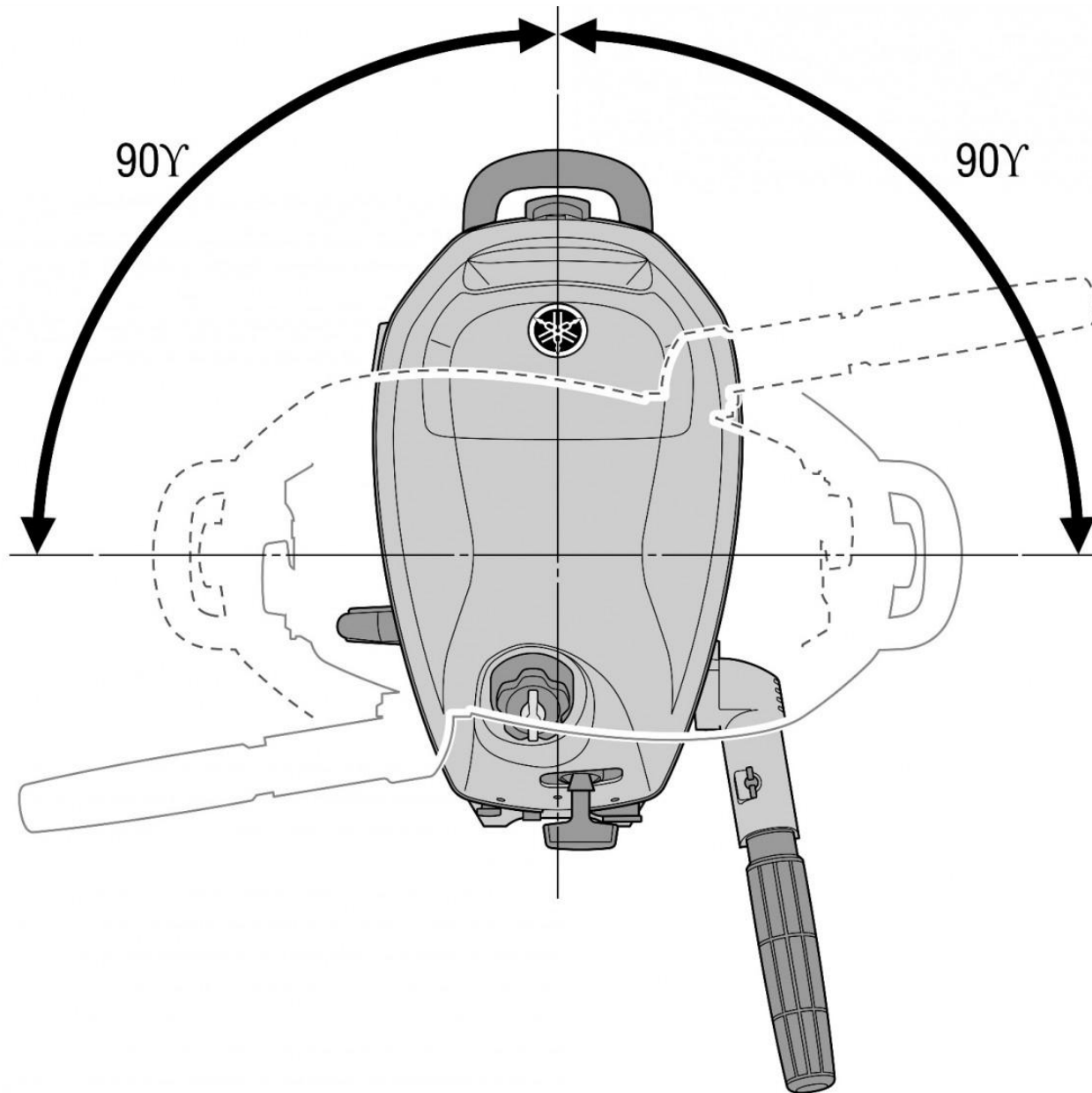
---

ENGINE	NUMBER OF ENGINES HORSE POWER (CV)	PROPELLERS	FUEL
Yamaha	1 x 5hp	Hors-bord	gasoline











# YAMAHA

*Revs Your Heart*



# YACHTING MEDOC

— Depuis 1994 —

**05.56.09.28.18**

**06.73.47.48.81**

**[magasin@yachting-medoc.com](mailto:magasin@yachting-medoc.com)**