



SALE NEW

escape yachting Escape 56

Description

ESCAPE 56, LOSTUZZI DESIGN, HULL LIGHT GREY, ESCAPE YACHTING, 1 x 80 HP ---, SHIFTING KEEL, 3 CABIN/S, 3 WC(S), 2 SHOWER STALL, VAT NOT PAID, +39 06 65 22 258/9, www.mediaship.it - AD CODE W159953/V - Check the full brochure, the video and the sea trial on our Web site MEDIA SHIP

Kitchen and appliances:

Refrigerator (Electric).

Specifications

LENGTH

17.20

DRAFT

2.68

BATHROOMS

1

HORSE POWER

1 X 80 CV

WIDTH

5.10

CABINS

3

ENGINE MANUFACTURER

General

TYPE	BRAND	MODEL	CURRENT LOCATION
Sailboat	escape yachting	Escape 56	Italia

Dimensions / Performance

WEIGHT (T)
9999.99

Building / facilities

HULL MATERIAL	HULL COLOR	AMOUNT OF CABINS	BERTHS
Aluminum	GRAY	3	6
BATHROOM(S)			
1			

Engine room

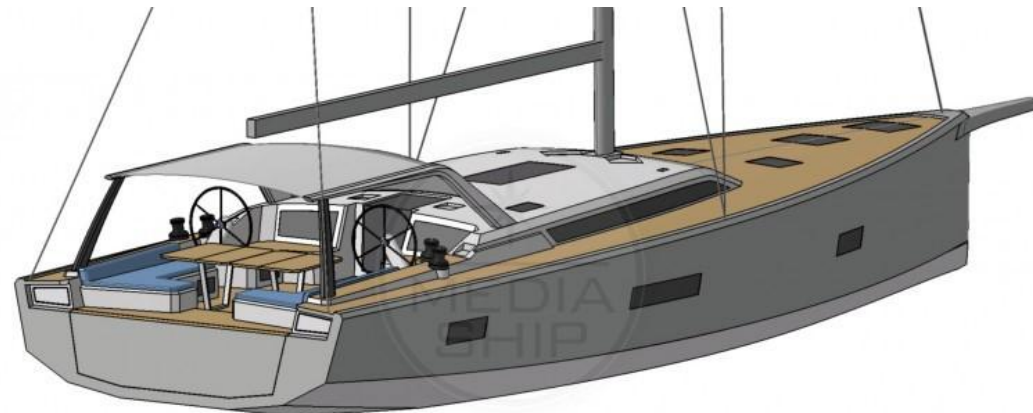
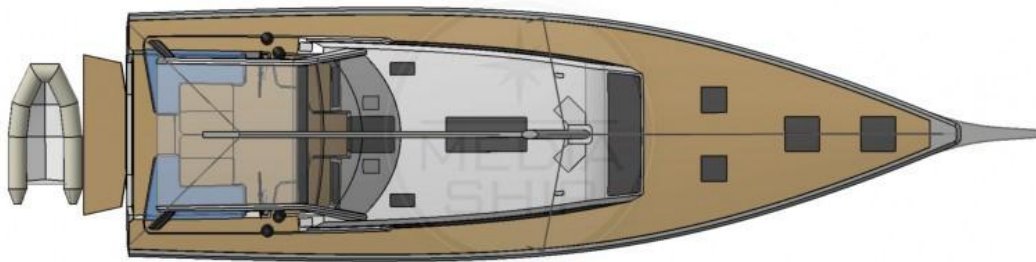
ENGINE	NUMBER OF ENGINES HORSE POWER (CV)	FUEL
---	1 x 80	Diesel

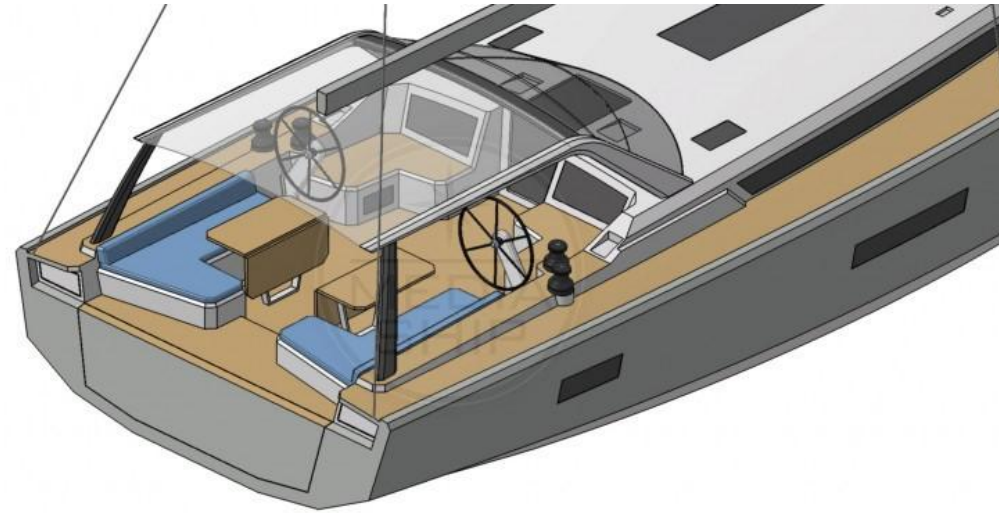
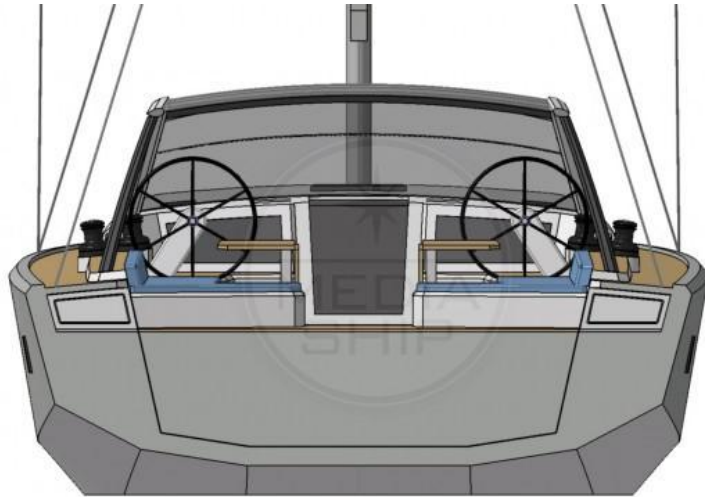
Galley / Laundry / Entertainment

FREEZER	FRIDGE
---------	--------

Deck equipment

DECK SHOWER





ESCAPE 56
Lostuzzi Design



ESCAPE 56
Lostuzzi Design